

## Truck Chipper ETC6x6

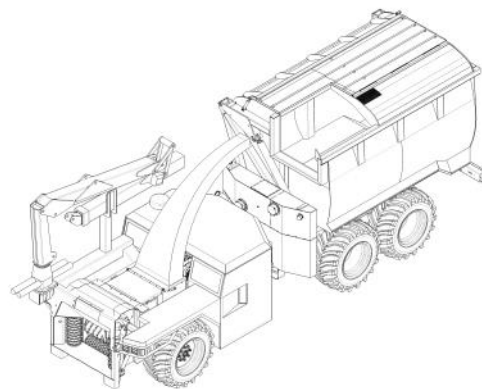


### Description:

The Eureka Truck Chipper 6x6 is a very efficient machine to work because of its one man control. This truck have a 6x6 driving system so it is very suitable to work off-road. The ETC6x6 has its own Hydraulic drive, Chipper unit, Long reach crane and Tipper so there is no need for a separate crane or truck anymore. Working with this Truck Chipper saves time and you could work rough environments.

### Specifications:

|                       |                                |
|-----------------------|--------------------------------|
| Length                | : 8.5 m                        |
| Width                 | : 2.55 m                       |
| Height (standard)     | : 3.8 m                        |
| Weight (standard)     | : 15.5 ton                     |
| Weight max.           | : 23 ton                       |
| Ground clearance      | : 440 mm                       |
| Articulation joint    |                                |
| Steering              | : 2 cylinders                  |
| Engine                | : John Deere 6068H             |
| Power source          | : 275pk (205kW)<br>@ 2400rpm   |
| Torque                | : 1025Nm @ 1400rpm             |
| Fuel consumption      | : 44kg/hr.                     |
| Hydrostatic drive     |                                |
| Speed                 | : Continues 0-35 km/hr.        |
| Pulling force (max)   | : 100kN                        |
| Construction          | : 6x6<br>bogey rear suspension |
| Wood crane            | : Palfinger                    |
| Scope                 | : 8.6 m                        |
| Lifting capacity      | : 61 kNm (net)                 |
| Steering torque       | : 20 kNm                       |
| High lift side tipper | : 16 m3                        |



### Three Levels Control:

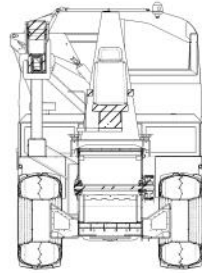
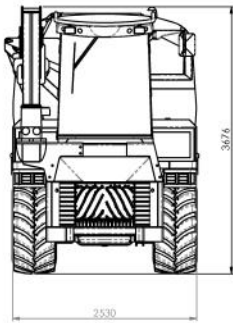
1. Chip position - Speed 0-10 km/hr. All hydraulic functions and Chipper unit available.
2. Speed 0-20 km/hr. Hydraulic chip function available, Chipper unit disarmed.
3. Speed 0-40 km/hr. Hydraulic chip function and Chipper unit are disarmed.

### Cabin:

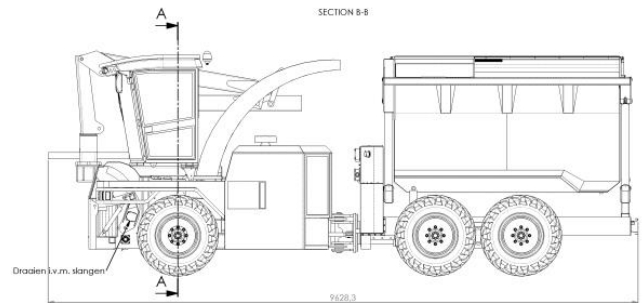
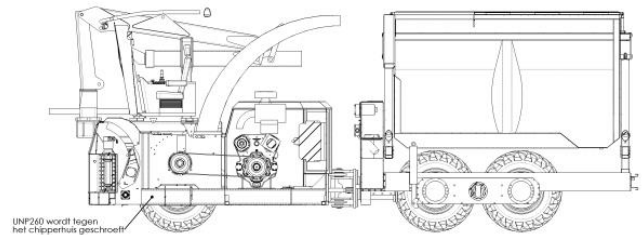
|   |
|---|
| Dashboard                                       |
| Air-conditioning/Heating                        |
| Driver seat                                     |
| Controls wood crane, chipper and tipping bucket |

# Truck Chipper ETC6x6

Main dimensions:



SECTION A-A



Amfibian Buggy



Wood Chipper



Multipurpose Crawler



Amfibian Excavator

**EUREKA**  
www.eureka-bv.com

Maasstraat 3  
NL-7071 VR ULFT  
The Netherlands

Phone : 0 (031) 315 377 608  
Fax : 0 (031) 315 377 609  
Email : info@eureka-bv.com