

Compact Linear Winch

Description

The usage of the Linear Winch is for example the hoisting of electricity cables into a windmill or to hold bridge cables on tension. The Linear Winch is designed for the hoisting inside narrow spaces where a powerful lift capacity is needed. The relative compact and light weight winch can handle a force of 15 ton. The hoisting cable scrolls in the heart of winch. At each scroll the Linear Winch grabs onto the hoisting cable and shift it. At the end of the hoisting cable it is possible to confirm the load for lifting like the electricity cable. In this way the load is hoisted into it's place. With this method it is possible to lift heavy loads or to hold a cable on tension.

Technical information:

The relative compact and light weight winch can handle a force of 15 ton.

The clamping device is built with two hydraulic cylinders.

The cable with a diameter of 22mm can be placed over the length of the winch instead of putting through from top to bottom.

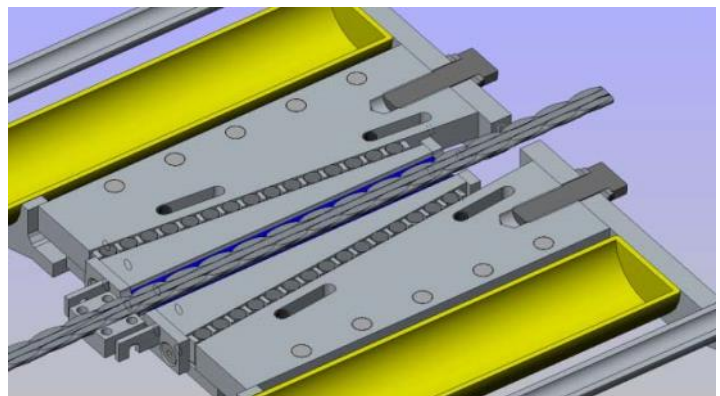
The winch is powered by a hydraulic power pack of 30 litres/180 bar.



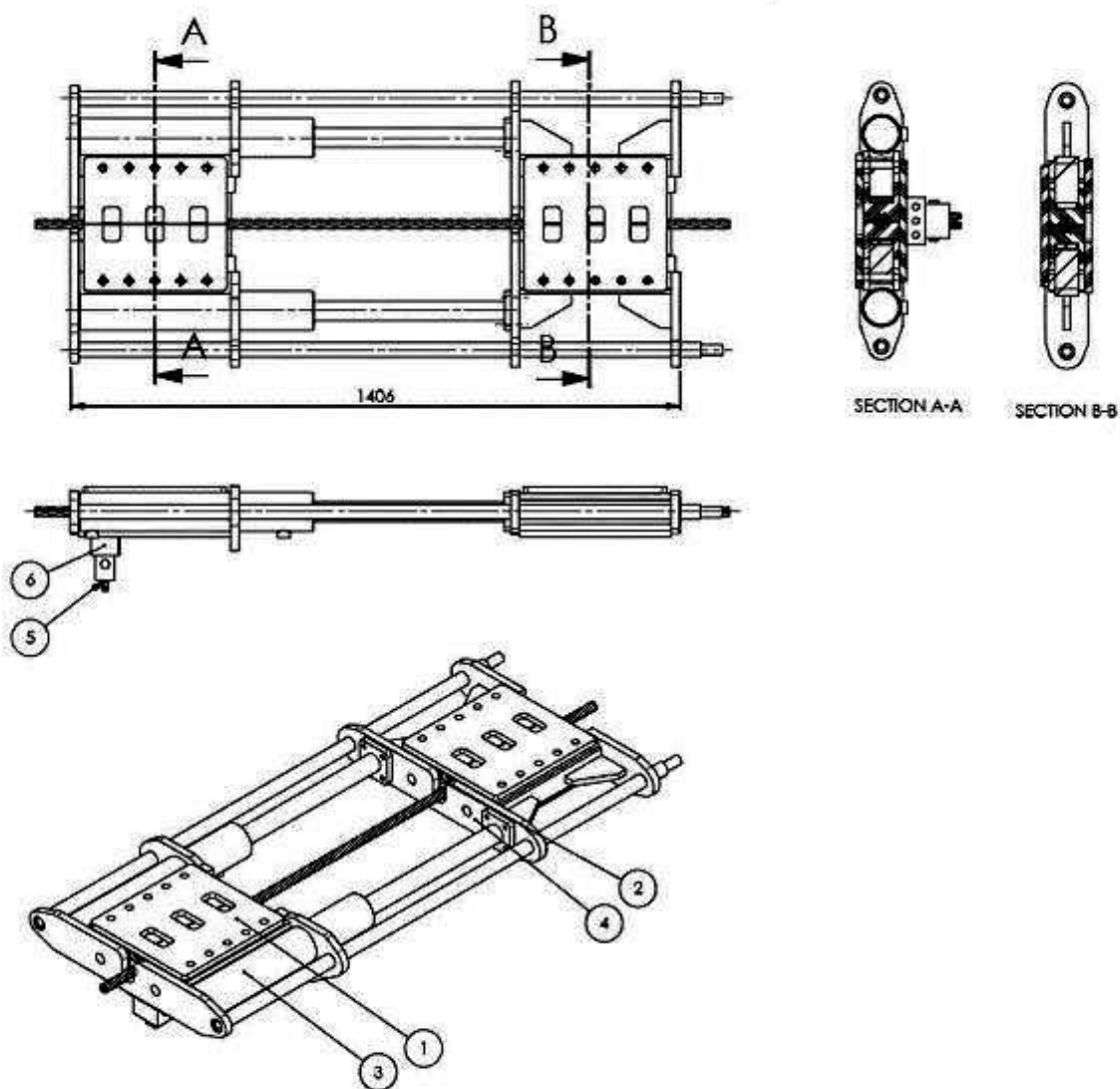
	CLW 5	CLW 10	CLW 15	CLW 20
Load	5 ton	10 ton	15 ton	20 ton
Mass	200	260	280	340
Mass part	75	90	100	140
Dimension	(L)1900 x (W)540 x (H)210	(L)1900 x (W)600 x (H)240	(L)1900 x (W)650 x (H)270	(L)1900 x (W)750 x (H)300
Submarine	x	x	x	x
automatic	x	x	x	x
Semi-automatic		x	x	x

Advantages of the Linear Winch:

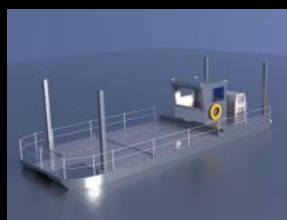
- Automatic or semi-automatic operation of cable
- Submarine version
- Lifting of heavy loads
- Relative compact and lightweight
- For the use inside narrow spaces
- To keep a load in place



Compact Linear Winch



Amphibious EAB150



Catamaran Boat



Workboat



Website



Maasstraat 3
NL-7071 VR ULFT
The Netherlands

Phone : 0 (031) 315 377 608
Fax : 0 (031) 315 377 609
Email : info@eureka-bv.com